

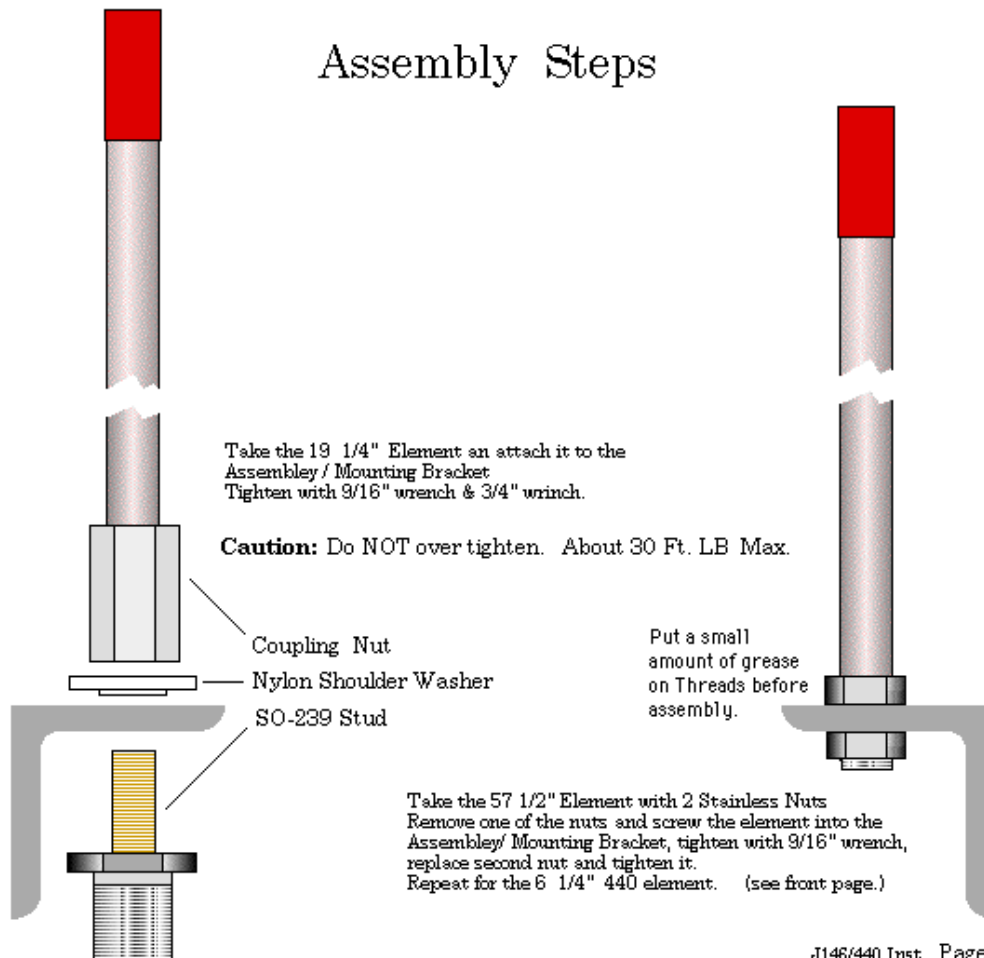
OSJ146/440

Packing List

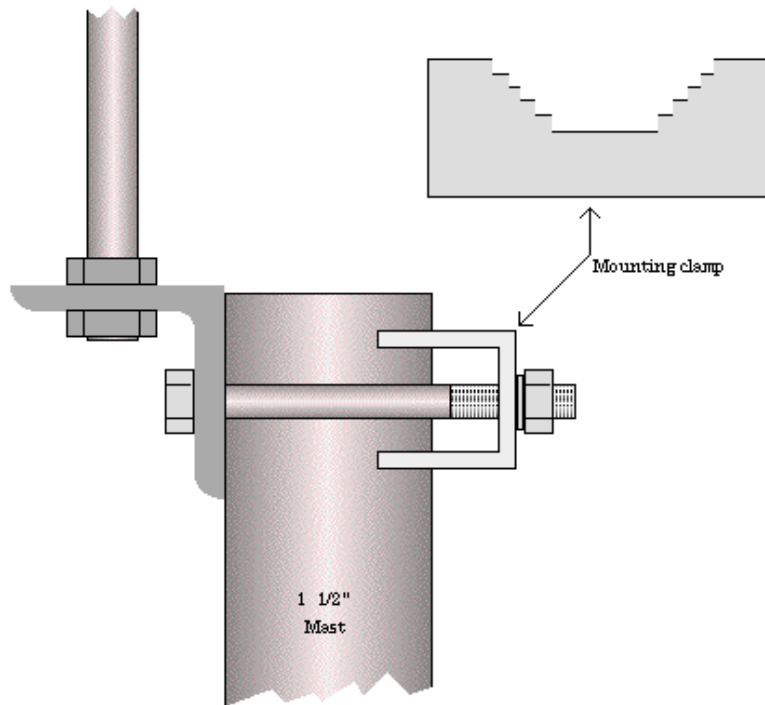
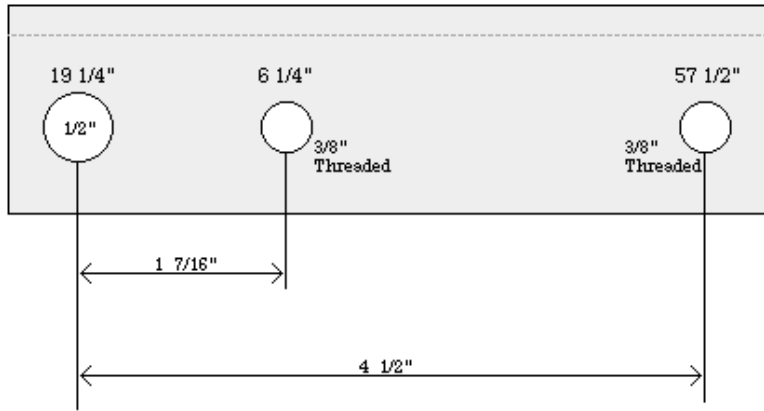
Price Each	Part Number	Part Description
\$ 10.00	J14611	3/8" X 19 1/4" Element with Coupling Nut
\$ 6.00	J44012	3/8" X 6 1/4" Element with 2 Stainless Nuts
\$ 15.00	J14613	3/8" X 57 1/2" Element with 2 Stainless Nuts
\$ 20.00	J14614	1 1/2" X 1 1/2" X 5 1/2" Assembly / Mounting Bracket
\$ 4.00	J14605	SO-239 Stud
\$ 1.00	J14606	Nylon Shoulder Washer

Please add \$6. Shipping & Handling

Assembly Steps



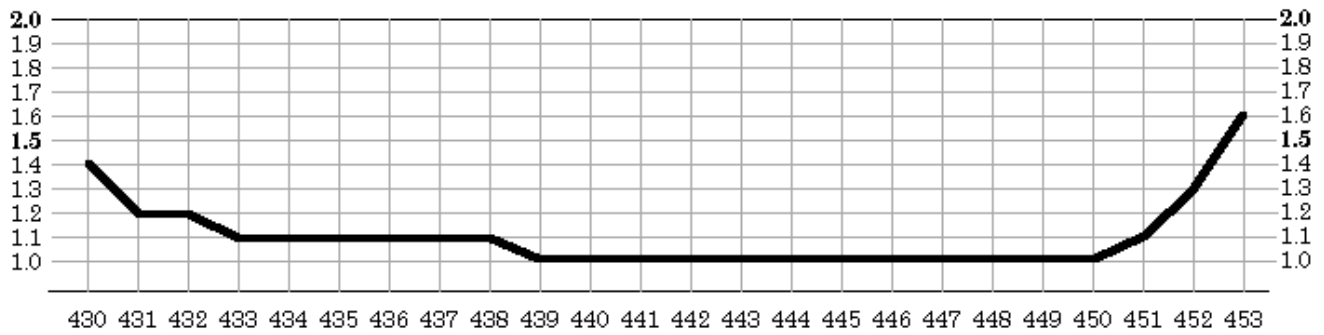
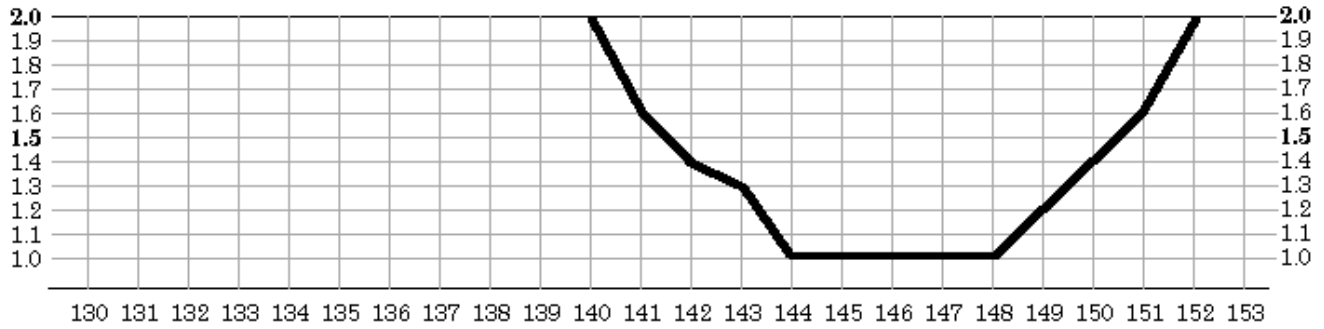
1 1/2" X 1 1/2" X 5 1/2" Assembly / Mounting Bracket



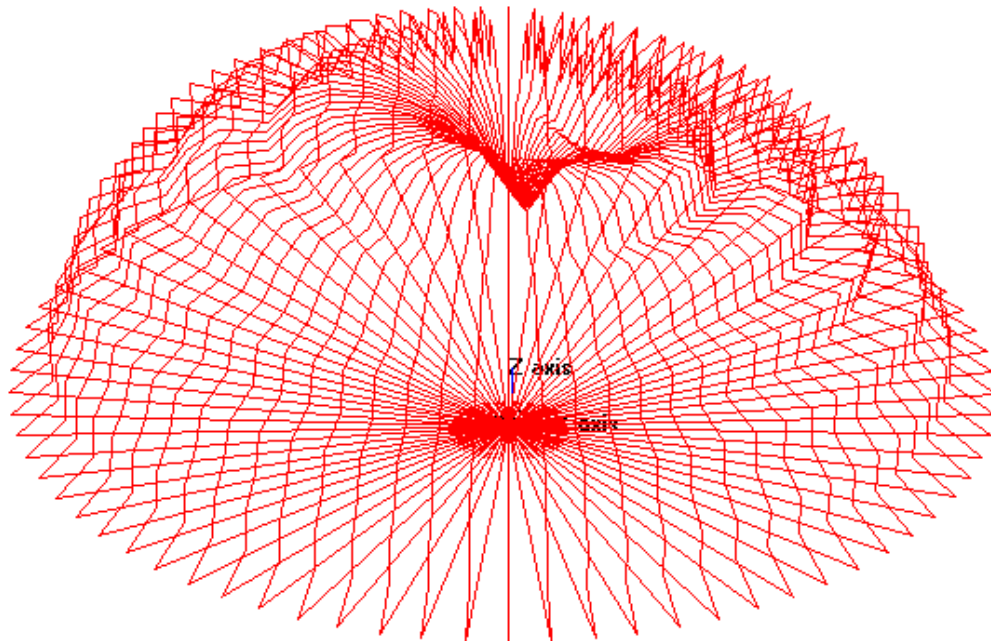
SWR Chart

of

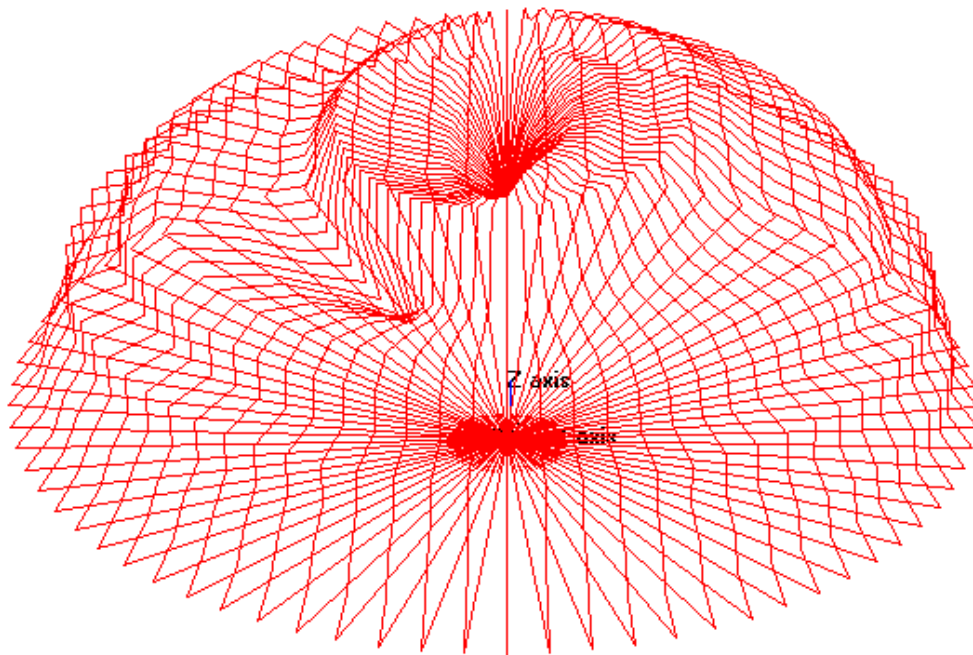
Model J146/440





This Chart was made using the
Auttek VHF Analyst Model EF5



2 Meter 3D Radiation Plot (Computer Model)



70cm 3D Radiation Plot (Computer Model)

<i>Last Updated 7/12/05</i>	Main Page	J-Pole Page
	 NOIMW @ bresnan.net	